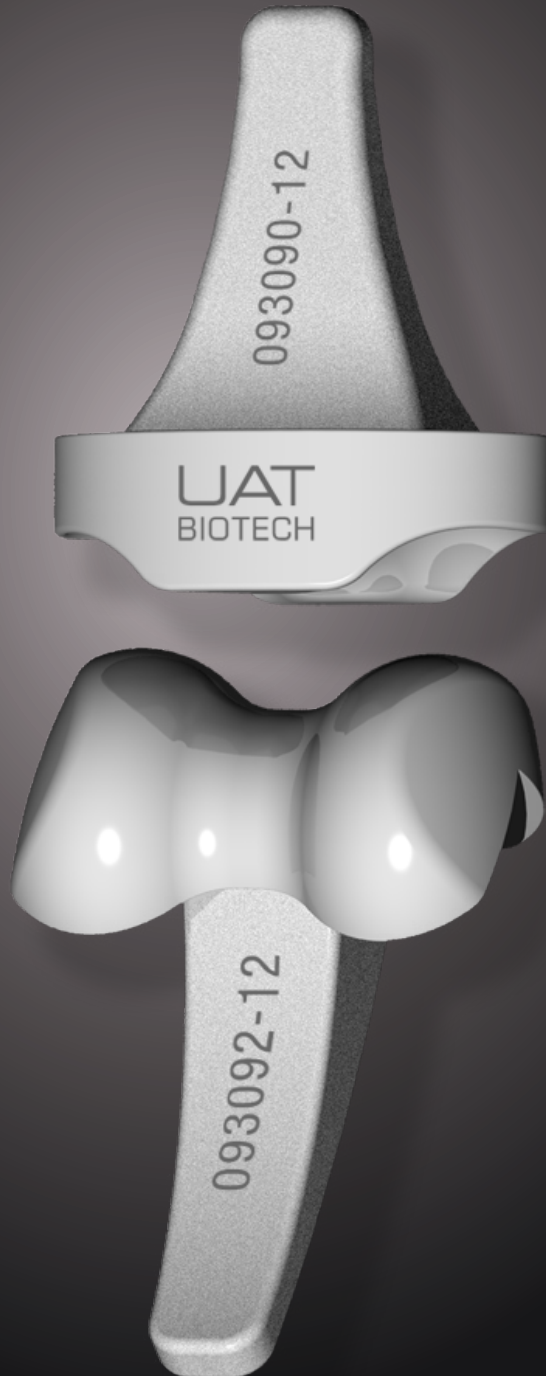


# Apex Digital Implant

ceramic interphalangeal joint replacement system

STRONG | LIGHT | BIOCOMPATIBLE



**Umbra Applied Technologies**  
2203 N. Lois Ave #G400  
Tampa, FL 33607

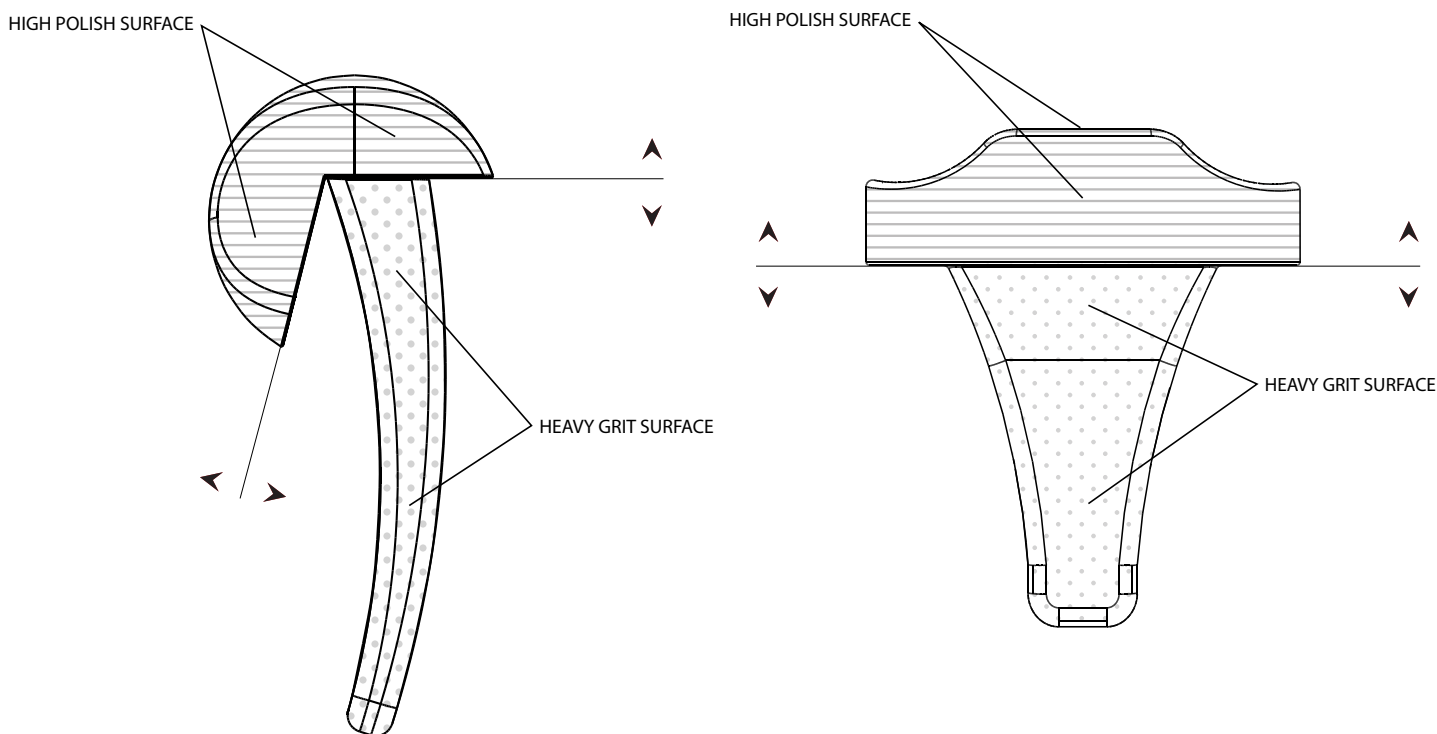
# Apex Digital Implant

ceramic proximal interphalangeal joint replacement

## Apex Digital Implant System

Apex implants are designed using state of the art materials for active patients undergoing joint replacement for arthritis. Our premium Implants feature the following benefits:

- *Zirconia Ceramic Material for superior strength characteristics*
- *Increased biocompatibility over competitive implants*
- *Textured stem surface allows for improved implants anchoring*
- *Improved anatomical design compared to competitive implants*
- *Non-metallic components*
- *intuitive instrumentation*



### Proximal interphalangeal joint (PIP)

APEX 12mm Ceramic PIP Joint Replacement	Model: 09309X-12
APEX 14mm Ceramic PIP Joint Replacement	Model: 09309X-14
APEX 16mm Ceramic PIP Joint Replacement	Model: 09309X-16
APEX 18mm Ceramic PIP Joint Replacement	Model: 09309X-18

### Metacarpophalangeal joints (MCP)

APEX 16mm Ceramic MCP Joint Replacement	Model: 08309X-16
APEX 18mm Ceramic MCP Joint Replacement	Model: 08309X-18
APEX 20mm Ceramic MCP Joint Replacement	Model: 08309X-20
APEX 22mm Ceramic MCP Joint Replacement	Model: 08309X-22



**Umbra Applied Technologies**

2203 N. Lois Ave #G400

Tampa, FL 33607

[www.umbraappliedtechnologies.com](http://www.umbraappliedtechnologies.com)